



T&S BRASS AND BRONZE WORKS, INC.
 2 Saddleback Cove / P.O. Box 1088
 Travelers Rest, SC 29690

Model No.

MV-2522-34

Item No.

Travelers Rest, SC: 800-476-4103 • Simi Valley, CA: 800-423-0150 • Fax: 864-834-3518 • www.tsbrass.com

This Space for Architect/Engineer Approval

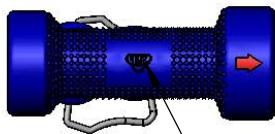
Job Name _____ Date _____

Model Specified _____ Quantity _____

Customer/Wholesaler _____

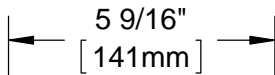
Contractor _____

Architect/Engineer _____



T&S Logo on Top

Ø 2 5/16"
[Ø 59mm]



5 9/16"
[141mm]

Ø 7/16"
Flow Orifice

Blue Rubber Cover

Stainless Steel
Valve Body

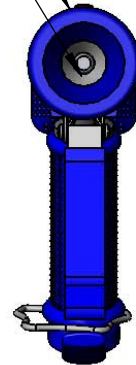
Blue Rubber Cover

Front Trigger Style
w/ Blue Rubber Cover

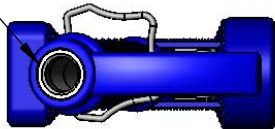
Retractable Trigger
Hold Down Clip

7 7/16"
[189mm]

Trigger Guard



1/2" NPT
Female Inlet



Product Specifications:
 Stainless Steel Water Gun w/ Blue Rubber Cover, Front Style Trigger,
 Ø 7/16" Flow Orifice & 1/2" NPT female Inlet

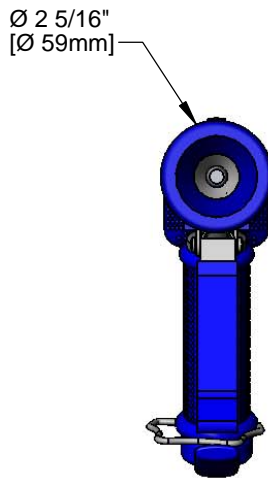
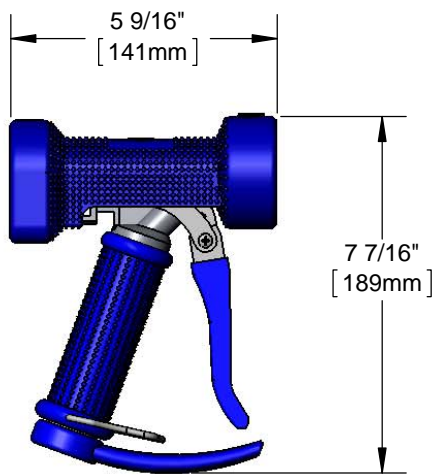
Product Compliance:
 NSF 61 Exempt (Non-Potable)



Architect/Engineering Specifications:

Heavy duty front trigger water gun, stainless steel with blue rubber cover, Ø 7/16" flow orifice and 1/2" NPT female inlet.

Job Name _____
Model Specified _____ Quantity _____
Variations Specified _____
Date _____



Features & Benefits:

- Heavy duty front trigger water gun
- Stainless steel with blue rubber cover
- 12.10 GPM water gun
- Rubber covered trigger guard
- Ø 7/16" flow orifice
- 1/2" NPT female inlet
- Material: Stainless steel and rubber

Product Compliance:

- NSF 61 Exempt (Non-Potable)

Warranty: One Year (Limited)

Performance Data:

- Pressure: 20 - 125 psi
- Temperature: 40 °F - 200 °F
- Flow Rate: 12.10 GPM @ 60 psi

